



# ACM-4100

IP Cube Camera

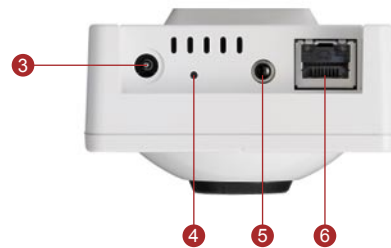


\* The bracket is included.

- 1/4" Micron Interlaced Scan CMOS
- 0.5 Lux at F1.8
- Auto White Balance Supported
- Selectable MPEG-4 / MJPEG compression
- VGA resolution at 30/25 FPS
- Multi-stream with variable frame rate in the same compression
- Two-way audio supported
- Hardware motion detection

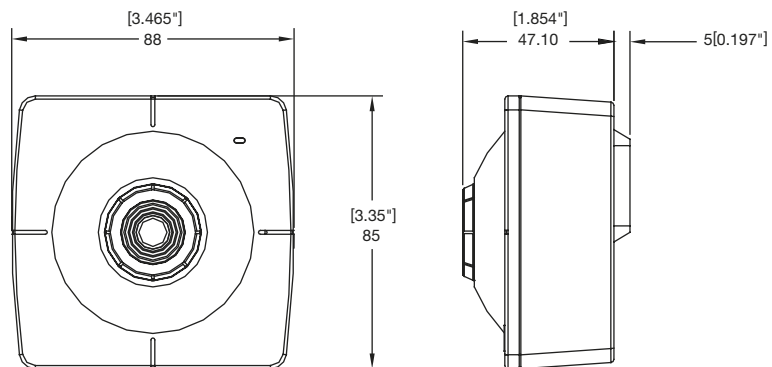


- 1 Power LED Indicator
- 2 Built-In Microphone



- 3 DC 3.3 V Power Input
- 4 Reset Button
- 5 Audio Output
- 6 Ethernet Port

## DIMENSION DIAGRAM



Unit: mm [inch]



## PRODUCT SPECIFICATION

		ACM-4100
Image	Device	Micron Interlaced Scan CMOS
	Size	1/4 inch
	Effective Pixels	640 x 480
Min. Scene Illumination	Color	0.5 Lux at F1.8 (30 IRE,MAX AGC)
Lens	Focal Length	f 4.2 mm / F 1.8
	Viewing Angle	75° (Horizontal)
Synchronization	Sync. System	Internal
Functions	Motion Detection	Yes (3 windows)
	Electronic Shutter	1/25 ~ 1/10,000 sec. (NTSC); 1/30 ~ 1/10,000 sec. (PAL)
	AGC	Automatic
	White Balance	AWB, MWB (switchable)
S/N Ratio	S/N Ratio	Better than 38.8 dB
Video Compression	Compression	MPEG-4 SP, MJPEG selectable
	Picture Resolution	VGA (640x480 in NTSC, 640x480 in PAL); CIF (352x240 in NTSC, 352x288 in PAL); QCIF (176x120 in NTSC, 176x144 in PAL)
	Bit Rate	28 K ~ 3 M bps
	Image Frame Rate	30 fps at VGA resolution (NTSC); 25 fps at VGA resolution (PAL)
Audio Input	Compression	8 kHz, Mono, PCM
	Built-in Microphone	Sensitivity: -36±3dB(0dB=1V/Pa); S/N Ratio: more than 58 dB; Directivity: Omni-directional
Audio Output	Compression	8 kHz, Mono, PCM
	Audio Line Output	Unbalanced, 1.4Vp-p, 1Vrms, 3.5 mm Phone Jack
External I/O	Reset Button	Factory default
	LED	System status
Network	Ethernet	Ethernet(10/100 Base-T), RJ-45 connector
	Protocol	TCP, UDP, IP, HTTP, DHCP, PPPoE, RTP, RTSP, FTP, SMTP, DNS, DDNS, NTP, ICMP, IGMP, ARP,3GPP
Software	Web Browser	Microsoft Internet Explorer 6.0 or above
	SDK	ACTi SDK-10000
Operating	Security	Password protection: configured by the administrator
Power	Temperature	0 °C ~ 40 °C (32 °F ~ 104 °F)
	Power Requirement	DC 3.3 V ±10%
Physical	Power Consumption	2 W
	Dimensions (WxHxD)	88 mm x 85 mm x 52.1 mm (3.46" x 3.35" x 2.05")
	Weight	150 g (0.33 lb), w/o bracket

## ORDERING INFORMATION

Model Name	Description
ACM-4100	IP Cube Camera

## Bundled Accessory



Bracket

- Max. Load: 1.5 kg
- Material / Color: ABS PLASTIC / Grey
- Dimension (H x D) : 115 mm X 80 mm
- Swivel Angle: 360°
- Tilt Angle: 90°